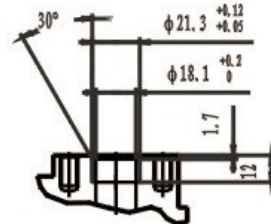
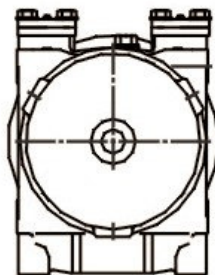
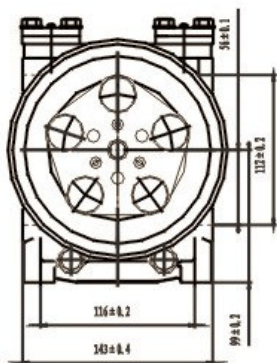


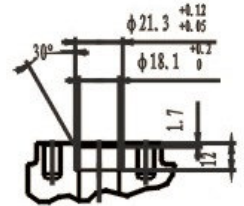
HCS-33 Compressor



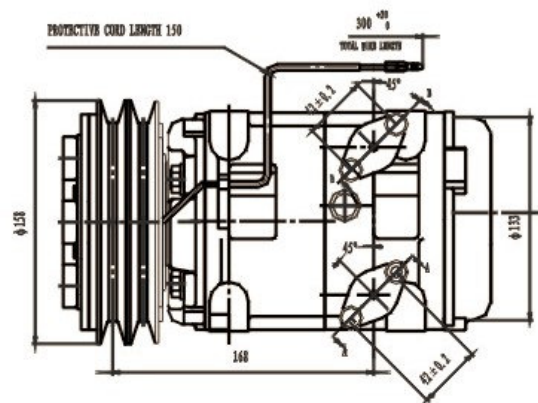
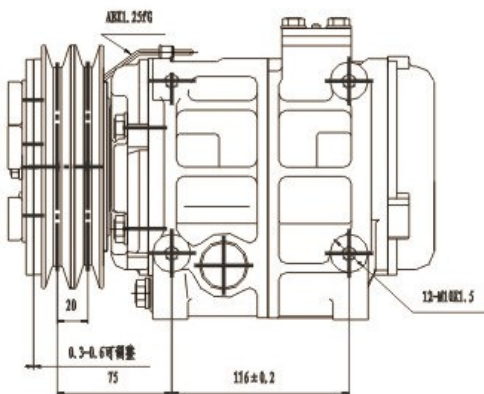
HCS-33 Compressor Assembly Drawings 压缩机总装图



A-A CROSS-SECTION



B-B CROSS-SECTION



HCS-33 Specifications 规格表

Model 型号	HCS-33
Displacement 排量	330 cc/ rev.
No. of Cylinders 缸数	10
Operating Revolution 常用转速	800-5000 rpm
Refrigerant 制冷剂	HFC-134a
Lubricant 润滑油	PAG 500cc
Weight 重量	14.5 kg
Voltage 电压	DC 12/ 24V
Power Consumption 耗电量	48 W

HCS-33 Performance Curve 性能曲线

