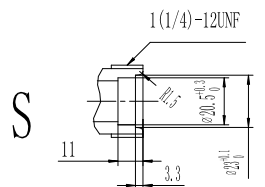
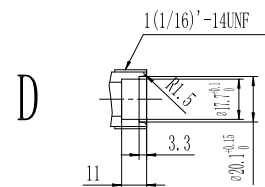
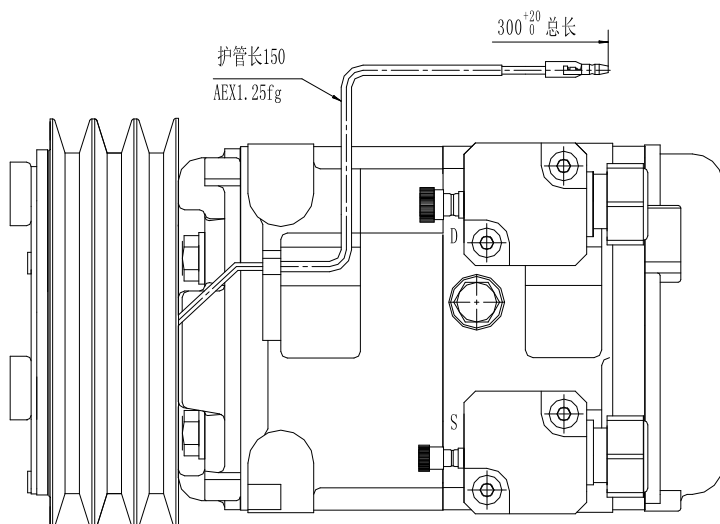
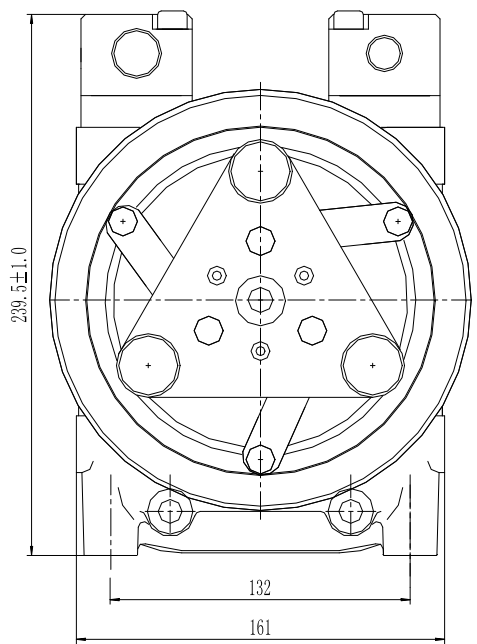
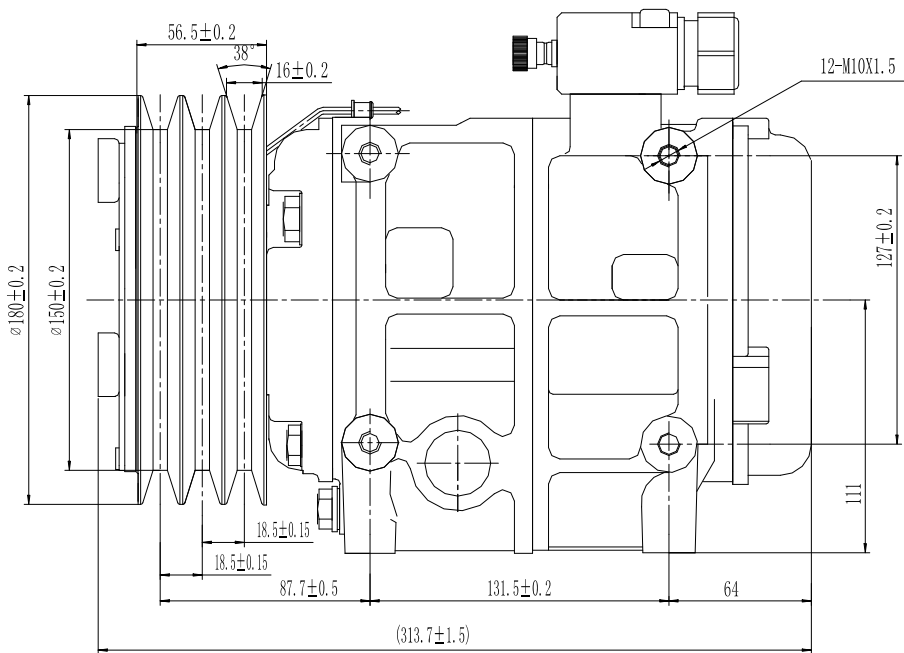


HCS-48 Compressor



HCS-48 Compressor Assembly Drawings 压缩机总装图



HCS-48 Specifications 规格表

Model 型号	HCS-48
Displacement 排量	480 cc/ rev.
No. of Cylinders 缸数	10
Operating Revolution 常用转速	800-4000 rpm
Refrigerant 制冷剂	HFC-134a
Lubricant 润滑油	PAG 800cc
Weight 重量	20 kg
Voltage 电压	DC 24V
Power Consumption 耗电量	48 W

HCS-48 Performance Curve 性能曲线

